



# Datasheet

## VIO S118R

Active Bassreflex Subwoofer  
1x 18", 1600W RMS



Equipped with a 18" woofer (4" voice coil), this bass reflex sub has been crafted to complete with impressive low-end VIO line array systems. The front-loaded bass-reflex configuration ensures excellent performance at both close and mid-distance. While the ideal use is groundstacked in indoor venues it still can be used as a powerful stand-alone low-frequency extension for main VIO Line Array Systems for large audiences outdoor.

### Features

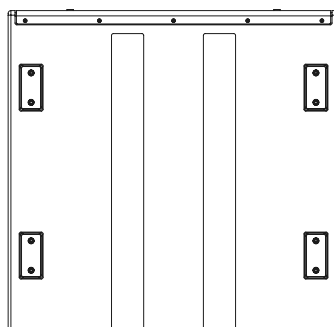
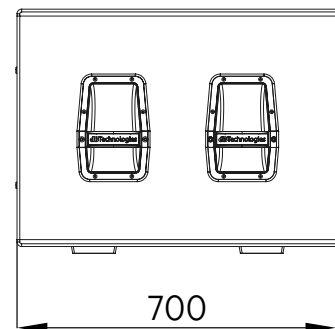
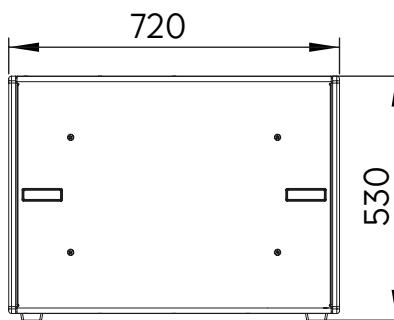
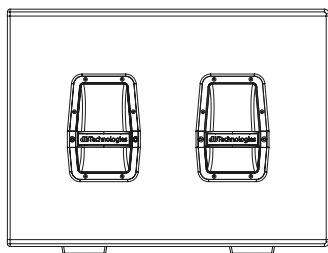
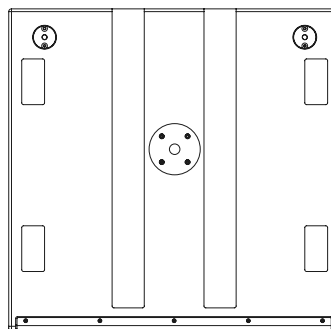
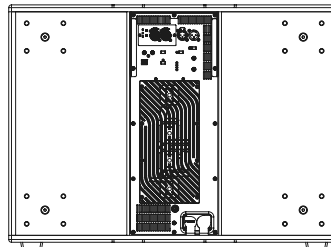
- last generation digipro G4 amp technology
- 1600W RMS amplifier
- SMPS with PFC
- system-test for quick diagnostics
- designed for maximum efficiency in the lower end
- on board delay for perfect time alignment
- on board cardioid array configuration preset
- modular slot for network and digital audio expansion cards (RDNet card installed)

<b>Speaker Type</b>	Active Bassreflex subwoofer
<b>Usable Bandwidth [-10dB]</b>	32 Hz (HPF)
<b>Frequency Response [-6dB]</b>	35 Hz to cut frequency (Xover dependent)
<b>Max SPL</b>	139 dB
<b>LF</b>	1x 18"
<b>Voice Coil LF</b>	4"
<b>Directivity</b>	Omnidirectional
<b>Amplifier</b>	1600 W RMS Class-D Digipro® G4
<b>Cooling</b>	Convection, internal fan
<b>Power Supply</b>	Full-range SMPS with PFC (100V~240V~, 50-60Hz)
<b>Controller</b>	DSP 32 Bit
<b>AD/DA Converter</b>	24 bit 96 kHz
<b>Limiter</b>	Peak, RMS, Thermal
<b>Delay Option</b>	0 - 9.9 ms internal   steps of 0.1 ms [on-board]
<b>Xover Frequency LF-Xover out</b>	Selectable 60-110 Hz + Full Range (8 steps)
<b>LF-Xover out slope</b>	24 dB/Octave
<b>Signal Input</b>	1 x XLR balanced
<b>Signal Output</b>	1 x XLR balanced (link or X-over)
<b>Power Socket</b>	1x PowerCON TRUE1 In 1x PowerCON TRUE1 Out
<b>Expansion Card</b>	RDNet Card (1x RJ45 IN 1x RJ45 Link) Dante Card [Optional]
<b>Controls</b>	1x Input Attenuation Rotary Switch 2x Delay Rotary Encoder (9.9 ms) 1x Polarity Inversion Switch (0° or 180°) 1x Cardioid Mode Switch 1x X-Over Freq Rotary Encoder (8 steps) 1x System Auto-test
<b>Special Features</b>	380V Resistant SMPS IPOS Intelligent Power-On Sequence Opto-isolated floating pre-amp System Test (transducers diagnostics)
<b>Housing</b>	Multiplex plywood - Polyurea painting
<b>Handles</b>	2x per Side, Aluminium
<b>Pole Mount</b>	M20 Thread
<b>Rain cover</b>	Included
<b>Rigging Points</b>	2x Pick Points on top to stack DRK-210
<b>Width x Height x Depth</b>	720 x 530 x 700 mm (28.34 x 20.86 x 27.56 in)
<b>Weight</b>	47 kg (103.62 lbs)

# VIO S118R

## Datasheet

### OVERALL DIMENSIONS



# VIO S118R

## Datasheet

### TRANSPORT & INSTALLATION ACCESSORIES

#### DO-VIOS118



Dolly for up to 3x VIO S118 / S118R

#### DSA-VIOL208



Groundstack adapter for VIO L208 on VIO S118 and S118R.

#### SWK-18 KIT



Kit consisting of 4 wheels for VIO S118R / VIO S218 / VIO S318 back panel.

### COVERS

#### FC-VIOS1



Functional cover for 2 VIO S118R / VIO S118.

#### TC-VIOS1



Transport cover for VIO S118R.

### CABLES

<b>CAT6-CAT6-100</b>	CAT6-CAT6 link cable (100cm) for DANTE™ AoIP and RDNet. EtherCON connectors.
<b>CAT6-CAT6-170</b>	CAT6-CAT6 link cable (170cm) for DANTE™ AoIP and RDNet. EtherCON connectors.
<b>CAT6-CAT6-500</b>	CAT6-CAT6 link cable (500cm) for DANTE™ AoIP and RDNet. EtherCON connectors.
<b>DAC-70</b>	XLR-XLR audio cable (70 cm).
<b>DAC-500</b>	XLR-XLR audio cable (500 cm).
<b>DCK-27T</b>	Cable-Set containing 2x DAC-70 and 2x DPTC-70L.
<b>DPTC-70L</b>	PowerCON TRUE1-PowerCON TRUE1 power link cable (70cm).
<b>DPTC-160L</b>	PowerCON TRUE1-PowerCON TRUE1 power link cable (160cm).
<b>DPTC-500L</b>	PowerCON TRUE1-PowerCON TRUE1 power link cable (500cm).
<b>DPTC-1000M</b>	Mains PowerCON TRUE1 cable (10m). Different plugs available for several countries.
<b>DPTC-2000M</b>	Mains PowerCON TRUE1 cable (20m). 16A CekON.
<b>RDC-45F</b>	RJ45 to XLR 3 poles female conversion cable, 6 cm length. The cable converts from RDNet RJ45 to XLRF.
<b>RDC-45M</b>	RJ45 to XLR 3 poles male conversion cable, 6 cm length. The cable converts from RDNet RJ45 to XLRM.
<b>RJ45-RJ45-150</b>	RJ45-RJ45 link cable (150cm) for RDNet speakers. EtherCON connectors.
<b>RJ45-RJ45-75</b>	RJ45-RJ45 link cable (75cm) for RDNet speakers. EtherCON connectors.