



# technical specifications CRMS-LFE18

## general

- Reference-quality LFE subwoofer system
- Extended in-room frequency response down to below 10 Hz
- Superb impulse response for most realistic sound experience
- Single 18" extreme-excursion woofer with dual 3" voice-coils
- SIS™ pre-wired for very high system damping factor (10.000)
- Available in space-economic design, with 27,5cm/10.8" depth



## description

The CRMS-LFE18 is a large-format reference subwoofer system for very demanding listening applications, delivering a super accurate bass and sub response for a maximum quality audible and sensible performance.

Specific attention has been paid to obtain a linear response in the operating bandwidth, while handling ultra-low frequency transients with maximum control.

The 18" custom-designed woofer features a large motor structure with dual 3" voice-coils offering an extreme excursion of 30 mm / 1.2-in. resulting in a 10 dB more excursion capability than a traditional (pro) 18" woofer. (not included in SPL<sub>peak</sub> spec).

The direct-radiating transducer mounted in the internally-stiffened, sealed cabinet enables an in-room response below 10 Hz; The superb impulse response is a perfect match with the ultra-fast transient response of the Alcons

pro-ribbon systems. The 4 ohms impedance caters for maximum amplifier efficiency.

For full system performance, the CRMS-LFE18 is to be driven and controlled by the ALC amplified loudspeaker controller; Driven by the ALC, the CRMS-LFE18 delivers maximum sound quality and output power with long-term operation reliability.

The integrated factory presets in the drive processor of the ALC offer optimisation settings, as well as VHIR™ processing for perfect phase-matching with an Alcons pro-ribbon system.

The Signal Integrity Sensing™ pre-wiring ensures complete cable/connector compensation between the CRMS-LFE18 and ALC, significantly increasing response accuracy and reducing both linear and non-linear distortion to an absolute minimum, regardless of cable length and system impedance.

The combination of CRMS-LFE18 and ALC delivers the most accurate reproduction for even the lowest octaves, to bring the most realistic experience of speech, music and effects, as it was intended.

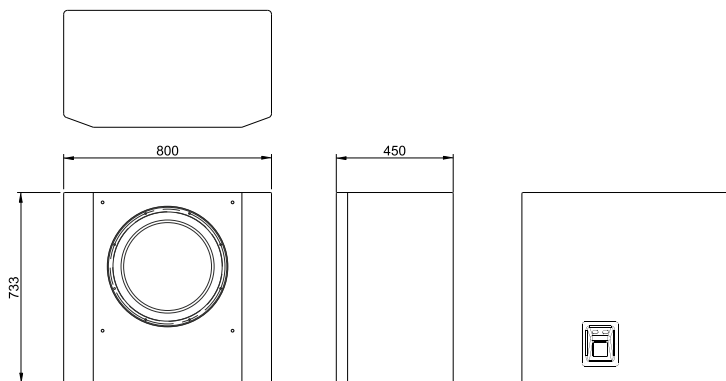
The CRMS-LFE18 is also available in a slim enclosure ("CRMS-LFE18sl"), for maximizing space-efficiency

with the Alcons slim-sized main systems.

Typical applications include LFE system for quality-conscious post-production facilities and mastering suites, high-end mix/screening rooms, recording studios and premium home theatres.

## technical specifications CRMS-LFE18

### dimensional drawing



### technical specifications

Frequency response	30 Hz - (+/- 3 dB)
	21 Hz - (+/- 10 dB)
100 dB boundary frequency	11 Hz
Sensitivity nominal	88 dB (40 Hz - 100 Hz)
Nominal impedance	4 ohms
Recommended drive	Sentinel3 min., max. 2 pcs. per channel (2 ohms)
Nominal SPL peak	117 dB (Sentinel3 40 Hz - 100 Hz)
	122 dB (Sentinel10 40 Hz - 100 Hz)
Dispersion	omni

### physical specifications

System	subwoofer, front-loaded	
Drivers LF	1x AW18.32-4 18", sealed	
Connectors	2x Speakon NL4 input/link	
Physical dimensions	mm	inches
Height	733	28.9
Width	800	31.5
Depth	450	17.7
Weight (approx.)	58 kg	127.9 lb
Warranty	6 years limited	

A: Alcons Audio  
De Corantijn 10  
1689 AP, ZWAAG  
The Netherlands

E: [info@alconsaudio.com](mailto:info@alconsaudio.com)  
W: [www.alconsaudio.com](http://www.alconsaudio.com)  
T: +31 (0)229 28 30 90