



HDMI over IP PoE Seamless Transceiver, 4K30

500860



Overview

The HDMI over IP PoE Seamless Transceiver, 4K/30 (model: 500860) allows HDMI source equipment to be extended locally up to 330ft (100m) at up to 4K @ 30Hz resolution via Cat5e/6 cable and is compatible with the MuxLab 500861 Transceivers to support point-to-point, point-to-multipoint and multipoint-to-multipoint configurations, Video Wall and Multiview capabilities in a low bandwidth expandable and cost effective manner, without the need to install dedicated cabling systems. The exceptionally low bandwidth requirements of this device combination allows for streaming audio/video content over a local network, over WiFi, and over the Internet for distributed installations spread throughout the globe. The Transceiver accepts a 4K video @ 30Hz and streams the content to an H.264/H.265 Receiver to be displayed on a 4K monitor. The device supports PoE (PD) and may be powered by a PoE (PSE) Ethernet Switch.

Applications

- Audio/Video Streaming over LAN, Wifi and Internet
- Commercial and residential AV systems
- Classroom projector systems
- Digital signage
- Boardroom systems
- Medical information systems

Key Features

- Supports up to 4K @ 30Hz video streams
- H.264/265 video codec, excellent for LAN and Internet transmission
- High image quality and ~80ms latency
- Supports seamless switching
- This unit is a Transceiver and can be used as a Transmitter, as a Receiver, or as both simultaneously
- Supports Video Wall
- Supports Multiview with up to 16-windows per screen
- Supports image rotation, scrolling text, banner, etc.
- RS232, RS485, USB, Relay and I/O for remote control of end devices
- PoE powered, via PoE (PSE) Ethernet Switch
- Managed via Muximus Network Controller (500813)

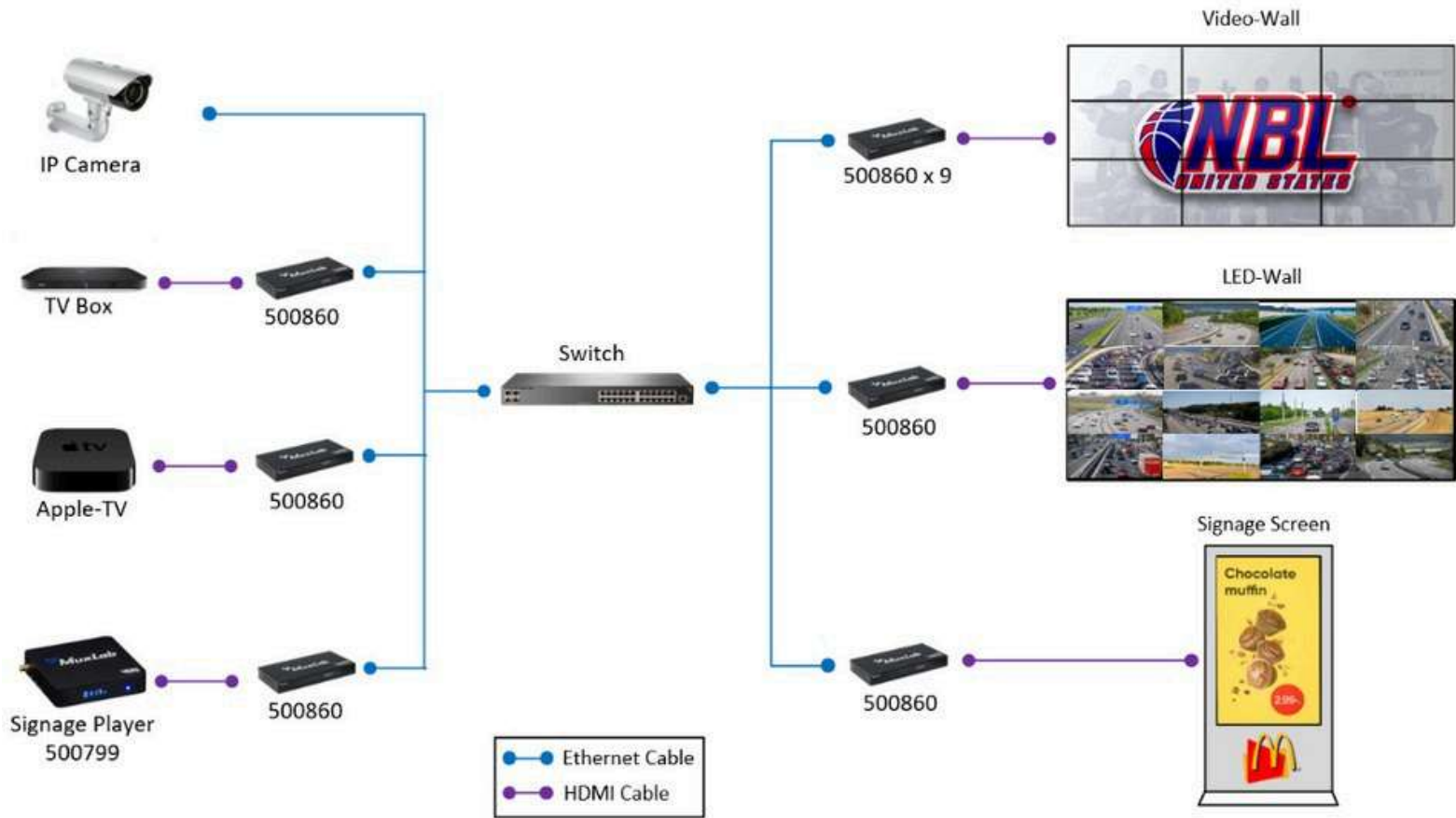


Control and Management via the intuitive **MuxLab AV Management Tool**.

Specification

Technical	
Environment	HDMI 1.4
Devices	Blu-Ray, Set Top Boxes, projectors, monitors, TVs, PCs, supporting HDMI.
Signal Protocol/Standard	HDMI 1.4 and HDCP 1.4
Video Resolution	Up to 4K/30 in and out
Audio	3.5mm Line in/out, or HDMI audio
Latency	80 ~ 120ms
Network Bandwidth	Up to 12Mbps
Protocols	Supports Multicast, RTSP, RTMP
Compression	Supports H.264/265
Front Panel	
Indicators	Power: Power indicator Sys: System indicator Link: LAN cable connection indicator HD: HDMI signal status
OLED Screen	Showing the Model, ID, IP, status
Rear Panel	
Video	2 x HDMI Type-A
Control Ports	1 x RS485 phoenix connector 1 x Relay phoenix connector 1 x I/O phoenix connector (Programmable as IR input/output or voltage sensor)
Audio	1 x 3.5mm IN 1 x 3.5mm OUT
LAN	1 x RJ45 (PoE) 1 x SFP Cage
USB	2 x USB-B ports for Keyboard & Mouse or PC host
Power	12VDC 1A
General	
Control	Windows PC software (MuxLab AV Management Tool), Android/iOS APP
Power Source	This device supports PoE (PD), an external power supply is not included. It is intended to be powered via a PoE (PSE) Ethernet Switch. If required, an optional power supply (500988) may be purchased separately.
Power Consumption	<10W
Temperature	Operating: 0° to 40°C Storage: -20° to 85°C Humidity: Up to 90% non-condensing
Dimensions	LxWxH (191mm x 100mm x 25mm)
Weight	1.2lbs (0.54kg)
Compliance	Regulatory: FCC, CE, RoHS Flammability: 94V0
Warranty	2 years
Order Information	500860 HDMI over IP PoE Workstation Transceiver, 4K30 (UPC: 627699008621)
Accessories (These items are sold separately)	500988 Univ. PSU 12VDC/2.0A Lock US/UK/EU 500925 14 Port Rackmount Transceiver Chassis 5.5U

Application Example



HDMI over IP PoE Seamless Transceiver, 4K30
500860

Follow us:



2321 Cohen | St-Laurent , H4R 2N7 | Québec, Canada Tel: 514-905-0588 | Fax:
514-905-0589 | Toll free: 1-877-689-5228 info@muxlab.com
salesteam@muxlab.com | www.muxlab.com